

T9 DESIGN

TACTICAL TEXTILE SOLUTIONS





K2 – MOLLE ARMOR

T9-AV98 MOLLE ARMOR

The K2 MOLLE Armor is designed for up to 3A protection level, with optional ballistic protection plates (HxW: 300x250mm).

MOLLE-based armor design allows easy configuration and customization, adding and removing pouches according to the different types of activities.

A unique ergonomic back system with padded shoulder straps that provides ease and comfort while carrying backpacks, carriers, or stretchers.



colors available



DETAILS

- Adjustable waist and shoulder fit for maximizing comfort and mobility.
- Customization - optional (as per customer request).
- Color variety: black, white, and navy blue.
- Special "back handle" for pulling downed personnel to safety.
- Option for Armor Plate



K2 – COMMANDER ARMOR

T9-VL16 COMMANDER ARMOR



The Commander Armor is designed for officers and other commanding personnel, offering a selection of designated pouches for maps, radio equipment, compass, night vision devices, and more.

This body armor offers up to 3A protection level, with optional ballistic protection plates (HxW: 300x250mm).

A unique ergonomic back system with padded shoulder straps that provides ease and comfort while carrying backpacks, carriers, stretchers, and alike.

The Commander Armor includes a matching backpack for carrying two hydration bottles, 1.5 liters each, a radio unit, and personal gear. The backpack is attached to the body armor using MOLLE.

colors available



DETAILS

- Adjustable waist and shoulder fit for maximizing comfort and mobility.
- Customization - optional (as per customer request).
- Color variety: black, white, and navy blue.
- Special "back handle" for pulling downed personnel to safety.
- Three 5.56MM Double Mag pouches
- Two pouches for fragmentation grenades
- First aid medical pouches for a combat soldier
- Maps pouch
- V-shaped clip for a night vision device

K2 – MCKINLEY ASSAULT ARMOR



T9-VL13 MCKINLEY ASSAULT ARMOR

Body armor for infantry corps; ergonomic and narrow-shaped, optimized for easy and comfortable maneuverability during short or long combat activities. An optional, up to 3A, protection level and an additional option for ballistic protection plates (HxW: 300xW250mm).

A revolutionized and unique backside adjustment system passes the weight to the hips using aluminum rods, and a unique backside shape design allows fresh air flow during movement.



colors available



DETAILS

- Adjustable waist and shoulder fit for maximizing comfort and mobility.
- Breathable internal fabric for minimizing perspiration.
- Special "back handle" for pulling downed personnel to safety.
- Three (5.56) Double Mag Pouches
- First aid medic pouches
- Two pouches for fragmentation grenades
- One Radio Pouch
- One Hydration Bag Pouch
- One Personal Gear Pouch
- One General Purpose Pouch



K2 – NAVY UNIT ARMOR

T9-FL40 NAVY UNIT ARMOR



Body armor for Navy Units, offering up to 3A protection level and an additional option for ballistic protection plates (HxW: 300xW250mm).

A unique floating add-on can be easily attached to the body armor to increase buoyancy in water. Unique leg straps fasten the add-on to the user during floatation.

The narrow and ergonomic design of the armor maintains the user's maneuverability and comfort with and without the floating add-on.

MOLLE based design of the armor allows easy configuration and customization, adding and removing pouches. Also the floating add-on cover is MOLLE based increasing operator's efficiency in water. The floating add-on is easily removable, allowing the user to remain only with the body armor.

colors available



DETAILS

Quick placement and removal of the floating add-on

- Adjustable waist and shoulder fit for maximizing comfort and mobility.
- Special "back handle" for pulling downed personnel to safety.

Customization - optional (as per customer request).

- Positive floating up to 200NM in to meet standard requirements.



K2 – VIP CONCEALED ARMOR

T9-VL30 VIP CONCEALED ARMOR

Fully concealed body armor, specially designed for VIP bodyguards and undercover security forces, offering a 3A protection level.

They are ergonomically shaped to perfectly fit the upper torso, allowing full maneuverability and comfort while entirely unnoticeable.



colors available



DETAILS

- Adjustable waist and shoulder fit for maximizing comfort and mobility.
- Customization - optional (as per customer request).
- Color variety: black, white, and navy blue.



EVEREST – MULTI-PURPOSE ASSAULT VEST

SN T9-VL31 MULTI-PURPOSE ASSAULT VEST

The Multi-Purpose Assault Vest is the ultimate selection amongst the T9Design's Everest vest line. The MOLLE-based design allows high flexibility in the pouches' selection to match mission requirements.

Quick and easy to put on and off, it perfectly fits long or short combats in all terrains and scenarios.

In addition, a 15-liter backpack can be attached to the back side of the vest for personal gear.



colors available



DETAILS

- Three magazine pouches - 5.56 ammo (TAVOR and M16 rifles)
- 3 utility pouches
- Two pouches for fragmentation grenades
- A clip for a night vision device
- First aid medic pouch
- Additional backpack (optional) - easily attached using MOLLE or Velcro clips
- Ergonomically designed for optimal fitness
- Adjustable waste and shoulder straps for optimal fitting
- Breathable internal fabric for minimizing perspiration
- Special "back handle" for pulling downed personnel to safety.



EVEREST – LIGHT COMMANDER ASSAULT VEST



SN T9-VL38 LIGHT COMMANDER ASSAULT VEST

The Light Commander Assault Vest is ergonomically designed, with a narrow shape and low weight, for maximizing maneuverability. Quick and easy to put on and off, it perfectly fits long or short combats in all terrains and scenarios.

The vest includes unique optional commander elements: a radio pouch, maps, navigation accessories pouch, a clip for securing a night vision device, and more.

The vest's backside is MOLLE based, allowing flexible compartment arrangement; moreover, a 15-liter backpack can be attached to the back side of the vest for personal gear.

colors available



DETAILS

- Three magazine pouches - 5.56 ammo (TAVOR and M16 rifles)
- 3 utility pouches
- Two pouches for fragmentation grenades
- A clip for a night vision device
- Radio pouch
- First aid medic pouch
- Additional backpack (optional) - easily attached using MOLLE or Velcro clips
- Ergonomically designed for optimal fitness
- Adjustable waste and shoulder straps for optimal fitting
- Breathable internal fabric for minimizing perspiration



EVEREST – LIGHT ASSAULT VEST

SN T9- CB49 DOCTOR DEPLOYMENT TACTICAL CARRIER



The Light Assault Vest is ergonomically designed, with a narrow shape and low weight, for maximizing a soldier's maneuverability. Quick and easy to put on and off, it perfectly fits for long or short combats in all terrains and scenarios.

The vest's backside is MOLLE based, allowing flexible compartment arrangement; moreover, a 15-liter backpack can be attached to the back side of the vest for personal gear.

colors available



DETAILS

- Three magazine pouches - 5.56 ammo (TAVOR and M16 rifles)
- 3 utility pouches
- Two pouches for fragmentation grenades
- A clip for a night vision device
- First aid medic pouch
- Additional backpack (optional) - easily attached using MOLLE or Velcro clips
- Ergonomically designed for optimal fitness
- Adjustable waist and shoulder straps for optimal fitting
- Breathable internal fabric for minimizing perspiration
- Special "back handle" for pulling downed personnel to safety.



TYREE – MINI-MI OPERATOR ASSAULT VEST

T9-VL32 LIGHT PARAMEDIC VEST

A multi-purpose assault vest specially designed for FN Mini-Mi operators, with various pouch selections, including special ones for Mini-Mi Drums or Ammo Chains.

They are ergonomically designed for maximum maneuverability in different warfare scenarios. They have padded shoulder straps to maintain comfort when the vest is fully loaded.

The vest's backside is MOLLE based, allowing flexible compartment arrangement; moreover, a 15-liter backpack can be attached to the back side of the vest for personal gear and a spare barrel.



colors available



DETAILS

- Two Mini-Mi 58 Drum pouches
- Two pouches for fragmentation grenades
- A special first aid medic pouch - can accommodate a full medical kit.
- A knife holster
- Additional backpack (optional) - easily attached using MOLLE or Velcro clips

EVEREST – HEAVY DUTY OPERATOR ASSAULT VEST



T9-VL22 HEAVY DUTY OPERATOR ASSAULT VEST

A multi-purpose assault vest specially designed for FN MAG operators, with various pouch selections, including special ones for FN MAG drums or Ammo Chains.

They are ergonomically designed for maximum maneuverability in different warfare scenarios. They have padded shoulder straps to maintain comfort when the vest is fully loaded.

The vest's backside is MOLLE based, allowing flexible compartment arrangement; moreover, a 15-liter backpack can be attached to the back side of the vest for personal gear.



colors available



DETAILS

- Two MAG 58 Drum pouches
- Two pouches for fragmentation grenades
- A special first aid medic pouch - can accommodate a full medical kit.
- A knife holster
- Additional backpack (optional) - easily attached using MOLLE or Velcro clips



EVEREST – LIGHT PARAMEDIC VEST

SNT9-VL32 LIGHT PARAMEDIC VEST

The Light Paramedic Vest enables provision of initial emergency medic treatment while maintaining combat readiness and efficiency.

Ergonomic design, narrow shape and low weight for maximal maneuverability, perfectly fit for long or short combats in all type of terrains and scenarios.

The vest's back side is MOLLE based, allowing to connect a medic backpack for all the required medical gear.



colors available



DETAILS

- Three magazine pouches - 5.56 ammo (TAVOR and M16 rifles)
- 3 utility pouches
- Two pouches for fragmentation grenades
- A clip for a night vision device
- A special medic pouch for holding a full paramedic kit
- Additional paramedic backpack - easily attached using MOLLE or Velcro clips
- Ergonomically designed for optimal fitness
- Adjustable waist and shoulder straps for optimal fitting
- Breathable internal fabric for minimizing perspiration
- Special "back handle" for pulling downed personnel to safety.

ELBRUS – FRONT LINE MEDICAL PACK



T9-NN10 FRONT LINE MEDICAL PACK

The Elbrus Front Line Medical Pack is designed to be carried by doctors in the combat zone. A unique ergonomic back system design provides comfortable and stable operational mobility and maneuverability.

The outer part of the backpack includes compartments for medical sets that need to be quickly accessible in emergencies, like Tourniquet sets and Field Dressing sets. Moreover, the backpack can be easily unfolded to reveal its internal part, creating a "medical working station" lookalike environment in the field.

The internal part of the backpack is divided into two parts, one side with permanent netted compartments that hold the special Medical equipment gear; the other side of the internal part includes several small detachable compartments that the doctor can hand out to his assistants in the field, to help him out when needed.



colors available



DETAILS

- Four detachable compartments for medications
- Four general purpose compartments
- A detachable compartment for a Blood Pressure Equipment set
- A general purpose detachable Medical compartment
- Five netted compartments
- General purpose pouches

ELBRUS – MODULAR MEDIC BAG



T9-NN05 MODULAR MEDIC BAG

The Elbrus – Modular Medic Bag was designed to meet the requirements of a particular combat army unit in the IDF. It has been used ever since by Medics and combat troops that wish to improve their first-aid responsiveness during combat.

The bag can be carried as a backpack, using a pair of removable shoulder straps, or attached to a vest, using its MOLLE-based back system.

The bag is designed to allow optimized response in two different scenarios. The outer part of the bag is designated for emergencies that require the quickest possible response and includes compartments for an Arterial Tourniquet set, hydration kit, Field Dressing sets, etc. In addition, there is one removable compartment that can be disconnected from the bag and strapped to the thigh.

The internal part can be easily and quickly unfolded into a "mobile medical working station": for cases that require a more extensive selection of medical gear. In addition, one designated compartment can be detached and handed out to someone else to assist in mass-casualty incidents.



colors available



DETAILS

External part:

- Quick draw hydration compartment
- Upper back compartment for modular personal gear
- Lower back compartment with quick deployment of medic thigh strapped pack option.
- MOLLE based sides for adding a radio compartment

Internal part:

- Internal quick draw compartment for dressing material
- Three large netted compartments
- A separate content list for each of the compartments
- Hydration bag compartment



ALPA – COMPACT MEDIC BAG

T9-NN08 COMPACT MEDIC BAG

The ALPA – Compact Medic Bag is designated for activities requiring a short stay in the field, yet might need a quick and efficient medical response. Despite its small size, the bag is designed to carry various medical gear.

An external compartment is located at the front of the bag, designated for the most urgent gear. It is further divided internally into two sub-compartments using a net.

A special Transfusion Kit compartment is located at the bottom of the bag. It opens to the sides, providing quick access directly to the kit.

The sides of the bag are MOLLE based, allowing the connection of additional compartments to the bag.

Also, the back of the bag is MOLLE based, allowing it to interface with different armor.

Moreover, the bag can be carried by security personnel as a side bag or hung on the back of a chair in their car.



colors available



DETAILS

- Eight netted compartments
- External zipper compartment
- Transfusion kit compartment
- General gear compartment t
- Easy access to all parts
- MOLLE system



ALPA – FOLDING STRETCHER CARRIER

T9-CB15 FOLDING STRETCHER CARRIER



The ALPA Folding Stretcher Carrier can hold an 8-fold stretcher, in addition to a wide variety of medical and personal gear.

The bag design allows quick drawing of the stretcher, and transparent compartments provide clear and simple access to the medical gear.

The bag includes a unique back system with adjustable shoulder straps for medium to high weights. It offers a padded MOLLE-based waist strap for connecting different compartments per the mission's requirements.

The bottom of the bag is padded with a rough fabric to prevent it from being damaged when dragged on the ground.

Unique handles on each side of the bag allow quick load maneuvering from one wounded soldier to another or when running for cover.

The Elbrus- Folding Stretcher Carrier is used widely by army and police units for urban or open-field warfare.

colors available



DETAILS

- Orthopedic back system with metal hardening
- Eight transparent medical gear compartments with quick opening
- External compartment for a resuscitation kit or for personal gear
- A central compartment for a standard folding stretcher.

ELBRUS – PATROL BACKPACK



T9-PRL-K PATROL BACKPACK

The patrol backpack is specially planned for combatants in field units out on short operations. The central storage space in the backpack provided a convenient arrangement of combat equipment for a night ambush, patrol, or any operation that requires a limited stay in the field. The main advantage of this backpack is its narrow and compact profile and ample storage space. The relatively small size of the backpack enables it to be carried on vehicles or in built-up areas. Consequently, the patrol backpack is ideal for use in the modern combat arena, which requires flexibility and transition from one combat route to another. In addition, there is a range of attachment options for additional pouches, and many options for personal adaptation of the backpack's spaces, converting it easily from an excellent combatant backpack into a designated carrier adaptable to a specific mission or function. The backpack has an integrated back system adapted for carrying it on top of full combat equipment or supported by a lightweight aluminum frame that distributes its weight uniformly, contributing to its stability when worn on the back.



colors available



DETAILS

- A main compartment with full opening and a dual-head zipper
- A secondary compartment with internal subdivision and a dual-head zipper
- Drainage holes in all the compartments
- Velcro for tactical marking
- Side pouches with adjustable cord fastening

ELBRUS – COMMANDO CARRIER 24



T9-CMD-24K COMMANDO CARRIER

The new commando backpack series is specially developed to provide a solution for a combatant carrying designated and personal battlefield equipment. This backpack is adapted to carry gear in the field according to the volume method adapted to the duration of the operation. The 24-hour backpack in this series presents a 5.5-liter (336.63 cu. inches) main storage compartment, two additional compartments, and a standard "MOLLE system" for personal adjustment. The unique structure of the backpack enables access to equipment in two ways - an upper opening, similar to a sack, provides quick access to equipment in the upper section of the backpack without the need to open it fully. Opening the whole panel allows access to equipment in the primary storage space. The backpack has an integrated back system adapted for carrying it on top of full combat equipment or supported by a lightweight aluminum frame that distributes the backpack's weight uniformly, contributing to its stability when worn on the commando's back.

The T9 commando series combines functionality and durability with uncompromising comfort and design, giving an advantage on the battlefield.



colors available



DETAILS

- A main compartment with full opening and a dual-head zipper
- "MOLLE system" straps in the main compartment
- An external upper compartment for storing fragile equipment
- A wide opening for removing a cable or drinking tube
- Velcro for tactical marking
- Adjustable shoulder straps
- External pouch on the front panel

ELBRUS – COMMANDO CARRIER 48



T9-CMD-24K COMMANDO CARRIER



The new commando backpack series is specially developed to provide a solution for a combatant carrying designated and personal battlefield equipment. This backpack is adapted for carrying equipment in the field, according to the volume method, which is adapted to the duration of the operation. The 48-hour backpack in this series presents a 6.5-liter (396.35 cu. inches) main storage compartment and four additional compartments, as well as open side pouches and a standard "MOLLE system," providing the combatant with a variety of options for personal adaptation. The unique structure of the backpack enables access to equipment in two ways: an upper opening, similar to a sack, provides quick access to equipment in the upper section of the backpack without needing to fully open the panel or open the whole panel, which allows access to equipment in the primary storage space. The backpack has an adjustable back system adapted for carrying on top of full combat equipment.

The T9 commando series combines functionality and durability with uncompromising comfort and design, giving an advantage on the battlefield.

colors available



DETAILS

- A main compartment with full opening and a dual-head zipper
- "MOLLE system" straps in the main compartment
- An external upper compartment for storing fragile equipment
- A wide opening for removing a cable or drinking tube
- Velcro for tactical marking
- Adjustable shoulder straps



ELBRUS – COMMANDO CARRIER 72

T9-CMD-72K COMMANDO CARRIER



The new commando backpack series was specially developed to provide a solution for a combatant carrying designated and personal battlefield equipment. This backpack is adapted for carrying equipment in the field, according to the volume method, which is adapted to the duration of the operation. The 72-hour backpack in this series presents a 6.5-liter (396.65 cu. inches) main storage compartment and four additional compartments, as well as open side pouches, anchor straps, and a standard "MOLLE system," providing the combatant with a variety of options for personal adaptation. The unique structure of the backpack enables access to equipment in two ways: an upper opening, similar to a sack, provides quick access to equipment in the upper section of the backpack without needing to fully open the panel or open the whole panel, which allows access to equipment in the primary storage space. The backpack has an integrated back system adapted for carrying on top of full combat equipment. It is supported by a lightweight aluminum frame that distributes the backpack's weight uniformly and contributes to its stability when carried on the commando's back. The T9 commando series combines functionality and durability with uncompromising comfort and design, giving an advantage on the battlefield.

colors available



DETAILS

- A main compartment with full opening and a dual-head zipper
- "MOLLE system" straps in the main compartment
- An external upper compartment for storing fragile equipment
- A wide opening for removing a cable or drinking tube



ELBRUS – ELBRUS COMBAT BACKPACK 20L

T9-CB40-20L COMBAT BACKPACK



The CB40 Combat Backpack features a compact and functional design. The backpack has a main compartment for storing general equipment, a lockable compartment, and a communications device compartment. In the upper section of the compartment, a wide opening facilitates the removal of an antenna cable or a drinking tube. A flat compartment is attached to the front panel of the backpack. A "MOLLE system" is sewn onto the outer side of the backpack, which enables attaching more pouches and making personal adjustments. There is also a folding compartment for a helmet, velcro straps for tactical marking, and straps for securing the backpack and tying additional equipment onto the backpack. The backpack is attached modularly to the back of the vest, obviating the need for shoulder or velcro straps. Consequently, it becomes a single unit with the rest of the soldier's combat equipment.

Shoulder straps and back padding can be attached to the backpack, which will convert the CB40 into a tactical Bug Out Bag for carrying without a vest.

The CB40 is the perfect backpack for combats during their daily activities. The compact structure and multiple adjustment options make it an effective tool especially adapted to modern warfare.

colors available



DETAILS

- A main compartment with a dual-head zipper
- A secondary compartment with internal subdivision
- A MOLLE system for attaching modular pouches
- A built-in helmet compartment
- Wide openings for cable and drinking tube
- An internal compartment adapted for a 3-liter water container
- An internal compartment adapted for a communication device
- Option for connecting shoulder straps and back padding



ELBRUS – EXTREME CARRIER

T9-NN04 EXTREME CARRIER

A 100-liter bag-shaped backpack designated for long-hour walks on challenging terrains while carrying heavy gear in maximal comfort.

An integrated partition divides the backpack's internal part into two main compartments, and large openings allow easy placement or removal of stored gear, in or out of the backpack.

The backpack includes an Orthopedic Back System that divides the load evenly between the back and hips of the user, thus optimizing the user's comfort.

Moreover, a modular MOLLE-based design allows for adding additional compartments and pouches.



colors available



T9design



DETAILS

- A special cover for protection against rain and for camouflage
- Pouches for drinking bottles
- Upper pouch for additional storage space - must be stretched first over the equipment



ELBRUS – MULTI-PURPOSE SOLDIER BACKPACK

T9-CB39 MULTI PURPOSE SOLDIER BACKPACK



The Elbrus- Multi Purpose Soldier Backpack is a highly efficient backpack with various uses in urban warfare scenarios. Its relatively small size stands in contrast to its ample space offering.

The bag has an enormous main compartment, and its internal part is MOLLE based for connecting different compartment combinations according to specific mission requirements.

Three external compartments allow many options, like carrying medical gear, camouflage gear, etc.

Unique straps on the bag allow connecting additional MOLLE-based compartments that increase the bag's carrying capacity. An additional compartment is at the bottom of the pack with room for a helmet-holding clip or easy tying of warm clothes.

The backpack can be used with a variety of vests. It is connected to the vest using MOLLE or Velcro (optional).

colors available



DETAILS

- A MOLLE based central compartment for attachment of pouches.
- Medium sized upper compartment with MOLLE straps
- A compartment for documents
- Helmet holding clip
- Small bottom compartment
- Removable shoulder straps
- MOLLE based or Velcro based back part.



ELBRUS – UNIVERSAL BACK SYSTEM



T9-NN02 UNIVERSAL BACK SYSTEM

A Universal Back System with an aluminum frame that adapts itself to the shape of the user's back, allowing correct weight distribution and preventing backaches.

The Universal Back System is often used for carriers of over 20 Kg or for carrying extended dimensions equipment that requires support.

colors available



DETAILS

- Orthopedic back system
- Plastic buckles for quick connection to the back system



ELBRUS – TACTICAL HANDGUN HOLSTER



T9-W17 TACTICAL HANDGUN HOLSTER

The Elbrus Tactical Handgun Holster is designated for SWAT assault teams. It is designed for Glock handguns and can fit an optional Laser Beam Pointer or a flashlight under the barrel.

The holster can connect to the user's pants belt or any standard MOLLE interface. In addition, various MOLLE accessories can be interfaced with the holster itself.

A safety buckle that can be quickly and easily opened secures the handgun in its position, and an additional safety measure is provided to the handgun's trigger guard.

colors available



DETAILS

- Glock Handgun Holster
- MOLLE mag pouch - optional
- Handcuffs pouch - optional
- Handgun leg strap - optional



DANALI NAVIGATION DROP LEG POUCH

T9-CB37 NAVIGATION DROP LEG POUCH

A Drop Leg Pouch designed to hold navigation maps and accessories. The pouch includes a main map compartment, a GPS unit, a secondary compartment for keeping a Quadrant, markers, and other navigation accessories.

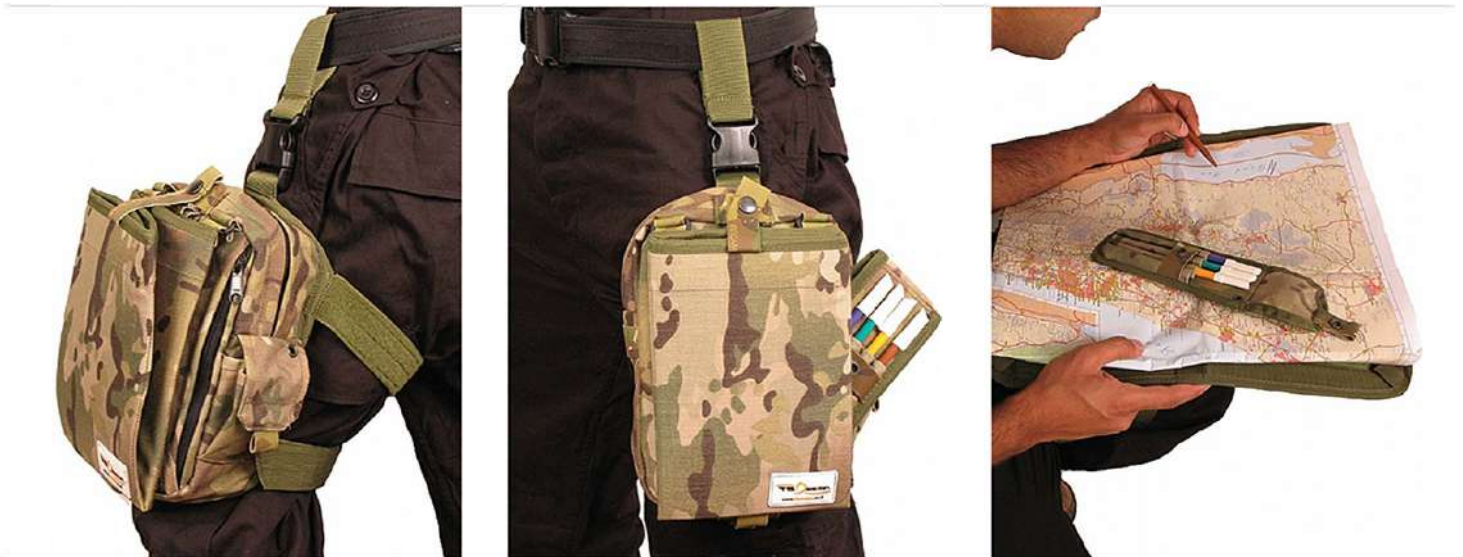
The pouch's design and shape do not influence the person's maneuverability or operational capabilities. It is comfortable and allows quick and easy access to its content.

A rugged fabric map holder can be used to hold the navigation map. It can be aided and attached to the front of the pouch and easily moved to other pouches if required.

The pouch is fixed to the belt with a buckle and strapped to the navigator's thigh using two elastic straps.



colors available



DETAILED

- Rugged map holder
- Maps pocket
- GPS pocket
- Quadrant pocket
- Markers pocket
- Side pouch for quick-draw

T9-CB37



DANALI COMMANDER DROP LEG POUCH

T9-CB9 COMMANDER DROP LEG POUCH

A Drop Leg Pouch specially designed for commanders and officers. It includes a transparent compartment for maps, a compartment for a small notebook, a compartment for pens, and more for personal gear.

The pouch design and shape do not influence the person's maneuverability or operational capabilities. It is comfortable and allows quick and easy access to its content.

The pouch is fixed to the belt with a buckle and strapped to the navigator's high using two elastic straps.



colors available



DETAILS

- Maps pocket
- Compass pocket
- Markers pocket
- Two general purpose pockets

DANALI – MULTI-FUNCTIONAL HELMET COVER



T9-C014G MULTI-FUNCTIONAL HELMET COVER

A Multi-Functional Helmet Cover for use with various helmet types and sizes. In use by elite army units and police task forces, it offers many helmet-related add-ons and gear options.

The front of the cover features a special pocket for a pair of Dust Goggles, protecting them from being scratched and preventing unwanted reflections, including clip fasteners for securing the goggles strap to the helmet.

In addition, the helmet cover offers peripheral rubber straps for holding stick lights and IR identifiers, a flashlight holder at the back of the cover, an interface for a night vision device, and an interface for tactical identifiers on the sides of the helmet.

colors available



DETAILS

- Rubber adjustment string for fitting of the cover to different helmet sizes.
- Buckles for securing the cover to the helmet
- Straps for holding stick lights
- Clip fasteners for securing the goggles to the helmet.



DANALI – PASGT HELMET LEVEL IIIA

T9-VL14 PASGT HELMET



The PASGT Helmet is specifically designed for Law Enforcement personnel. To this end, the materials and manufacturing have been tailored to offer excellent bullet resistance with minimal back-face deformation.

Protection Level: NIJ 0101.06 IIIA and lower, protect against
NIJ Level IIIA: .44 Magnum SJHP bullets with a specified mass of 15.6g and a velocity of 436m/s
NIJ Level IIIA: .357 Magnum JSP bullets with a specified mass of 8.1g and a velocity of 448m/s
NIJ Level II: .357 Magnum JSP bullets with a specified mass of 10.2g and a velocity of 436m/s
NIJ Level II: 9mm FMJ RN bullets with a specified mass of 8.0g and a velocity of 398m/s
NIJ Level IIA: .40 S&W FMJ bullets with a specified mass of 11.7g and a velocity of 352 m/s
NIJ Level IIA: 9mm FMJ RN bullets with a specified mass of 8.0g and a velocity of 373m/s

Performance: Bullet-proof, shock-absorption, fire-retardant
Designed for: Police, Military, Special Forces

colors available





TACTICAL BALLISTIC HELMET LEVEL IIIA

High Cut Model

P/N T9 - HIGH-CUT-HE



FEATURES:

- ▶ Ballistics tested by a ballistic lab to NIJ Level IIIA
- ▶ Durable and water/chemical/UV resistant
- ▶ Secured to position using ergonomically designed locking system that's easy to adjust, convenient, and secure
- ▶ Using OCC-DIAL adjustable belt to adjust the size to exactly match your head and make you more comfortable
- ▶ Available Colors:
 - ▶ For added comfort and security, the internal cushion is impact-absorbing and made of memory foam that creates an impact buffer and is breathable and resistant to environmental factors, such as temperature/humidity/elevation changes
 - ▶ Designed to fit noise-canceling headsets and other communication equipment easily inside the helmet
 - ▶ External rail provides flexibility for additional equipment
 - ▶ **Weight:** 3.3 Lbs
 - ▶ **Size Chart:** Large: 22.5" To 23.4", X-Large: 23.5" To 24.2"



T9 DESIGN
TACTICAL TEXTILE SOLUTIONS



PROJECTS

TAKE LIFE IN YOUR OWN HANDS

ARMADILLO PROTECTIVE BLANKET THAT SAVES LIVES



Imagine having rockets or mortars landing and exploding near you and having no proper shelter to run to, having no way to protect yourself or your family. What would you do? The constant threat and daily fear require a substantial solution!

T9 Design and Pro Asymmetric have come up with a solution for this kind of situation.


THE ARMADILLO PROTECTIVE BLANKET

The "Armadillo" Protective Blanket has been specially developed to fulfill a real need to protect anyone in any situation, anytime, anywhere.

The "Armadillo" is designed to protect these people from shrapnel from these blasts that can severely injure or even kill.



THE ARMADILLO SPECS

- Quick deployment up to 10 seconds
- Lightweight, weighing between 5-7 kg (according to size)
- Comes in a variety of sizes
- Comes uniquely packed for easy deployment
- Allows proper posture and minimum threat exposure
- IDF Approved MIL 662-F STD
- Unique protective material that protects against shrapnel and blast impact
- Made in Israel 



T9 DESIGN

TACTICAL TEXTILE SOLUTIONS



A **FOLDING ASSAULT LADDER** is designed to be used in urban warfare scenarios. The folding frame, a unique **T9-DESIGN** development, provides the unit with a tactical advantage when moving through constructed area. The reinforced **CARBON FIBER** used in the ladder makes it strong enough to be used as a portable 3m' bridge easily supporting the wight of a fully armed soldier.

Use the ladder to gain height on the battle filed and make it-
YOUR TACTICAL ADVANTAGE

The **FOLDING ASSAULT LADDER** comes with additionl features:

- **Hook made of Carbon fiber & Aluminum**
- **Textile carrier**
- **Instructions Manual - English**
- **Bulletproof protective vests and plat-carriers**



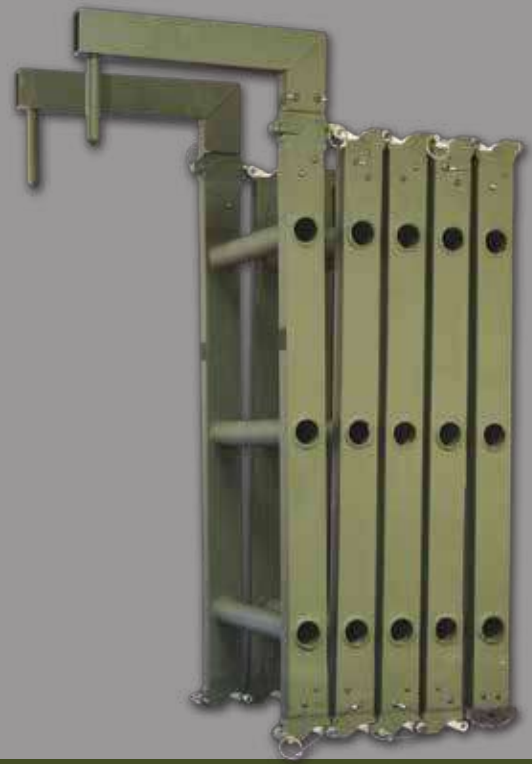
T9 DESIGN

TACTICAL TEXTILE SOLUTIONS



All joints in the ladder are made from lightweight Aluminum, reinforced with KEVLAR.

The joints are locked with standstill safety pins secured to the ladder frame.



TECHNICAL SPECIFICATION	
LADDER WEIGTH	7.8 kg
HOOKS WEIGHT	1.3kg
CARRIER WEIGHT	850 gr
DIMENSIONS	70X32X32cm
MAXIMUM HEIGHT	3.5m
NO. OF FOLDING ELEMENTS	5

Operation of assault ladder should be at temperature from -50C° to +50C° and sea fog, dew, dust. Storage of assault ladder should be at temperature -50C° to +50C°.

T9 DESIGN

TACTICAL TEXTILE SOLUTIONS



USE IT AS A BRIDGE



MAKE IT AN OBSERVATION POST



YOUR TACTICAL ADVANTAGE

K9 BALLISTIC HARNESS- LEVEL IIIA + ANTI-STAB

PROTECTION WITHOUT COMPROMISES

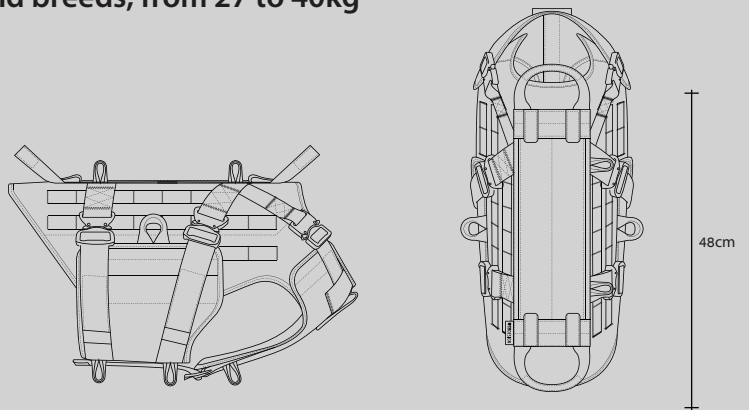
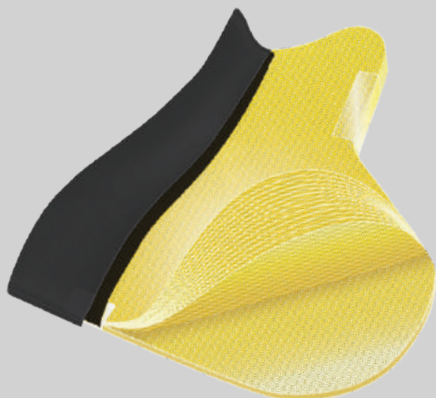
The TACTICAL OPERATIONS K9 BALLISTIC AND RESCUE HARNESS is a piece of heavy-duty equipment! Explicitly developed for Military and Law Enforcement uses for complex scenarios which demand complex handling in a hazardous environment. The harness features a full-body rappeling webbing system with quick-release Cobra buckles. This system is mounted onto a LEVEL IIA + ANTI-STAB Ballistic panel, designed to protect the dog's vital organs from 9mm bullets and knife wounds.



The wide chest and belly straps are fully adjustable for a secure, comfortable fit providing maximum safety and excellent freedom of movement for the dog. By adjusting the chest and belly strap, the harness will fit a range of dog sizes and breeds, from 27 to 40kg

FEATURS

- ▼ Two reinforced handles on each end
- ▼ 10 cm Velcro for pouches or camera mount
- ▼ Five G-hook loops for easy attachment
- ▼ MOLLE straps for modular adjustment
- ▼ Side Velcro for ID panels



BALLISTIC RESISTANCE TABLE

According to NIJ 0101.04 STD

THREAT LEVEL	AMMUNITION Caliber/Bullet type	BULLET WHIGHT Grams	VELOCITY m/s
IIIA	44 Mag. SJHP 9mm FMJ RN	240 124	436 436

According to NIJ 0115.00 STD

Protection Level	E1 Strike Energy (Joules)	Maximum Penetration at E1(mm)	E2 Overtest Strike Energy (Joules)	Maximum Penetration at E2(mm)
1 BLADE	24	7	36	20

BALLISTIC VEST- ANTI-STAB

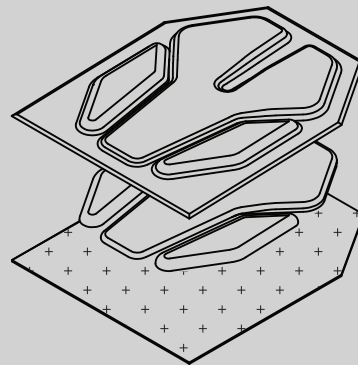
MODULAR DESIGN

MADE FROM TOUGH 1000-DENIER NYLON FABRIC, THE VEST IS MADE TO WITHSTAND THE HARDEST CONDITIONS. THE INTEGRATED DRAGGING HANDLE ENABLES A QUICK EXTRACTION OF A DOWNED SOLDIER. A FULL M.O.L.L.E WEBBING SYSTEM ALLOWS FOR IDEAL GEAR MODULARITY. THIS VEST WILL HOLD LEVEL III AND IV PLATES WITH A MAXIMUM SIZE OF 34X26 CM.



AGRONOMIC SHAPE

THE INNER SIDE OF THE P. C. FIGURING A UNIQUE AND EXCLUSIVE 3D FOAM PANEL. DESIGNED TO FOLLOW TO CURVATURE OF THE HUMAN BODY, THE PANELS SUPPORT AND DISTRIBUTE THE WEIGHT OF THE BALLISTIC PLATES AND EQUIPMENT WHILE VENTILATING HOT AIR AWAY FROM THE BODY.



VENTILATION

HEAT AND HUMIDITY ARE VENTILATED OUT VIA MOLDED TUNNELS. THESE TUNNELS ARE POSITIONED IN KEY LOCATIONS TO PROVIDE HEAT DISSIPATION FOR MAXIMUM COMFORT DURING DEPLOYMENT.

MODULAR BODY-ARMOR

MODULAR COMPONENTS

The Modular Body-Armor is designed to give the user maximum cover area while maintaining a light and flexible design. The vest's detachable parts allow for fast adaptation for any mission. The vest also features a grid of MOLLE webbing on the front, back, and sides to attach modular pouches and accessories. The front and back sides of the vest are equipped with an integral pouch for additional armor plates for level 4 protection.



QUICK RELEASE SYSTEM

A key design feature for the Modular Body-Armor is that the entire armor system can be released with the pull of a hidden handle. The armor then falls apart into its components, providing a means for escape if the wearer falls into water or becomes trapped in a hazardous environment. The hidden release handle also allows medical personnel more accessible access to a casualty.

